

Gina Chavez (full band)

2018-19 Hospitality Rider

The following technical and backline requirements need to be provided by promoter/presenter.

ANY QUESTIONS OR CHANGES PLEASE CONTACT:

Management: **Jodi Granado**, music@ginachavez.com, 512-750-5155

Backline

- Full 4-piece Drum Kit with snare, throne, kick pedal, hardware, cymbals (14" hi-hat, 20" ride, 16" or 18" crash)
- 1 Timbale with stand, 1 extra cymbal stand, 1 extra snare stand
- 1 Bass Cabinet (either (2) 8 Ohm 1 x 12 cabinets or (1) 4 ohm 4 x 10 cabinet) and Bass Head (700 watts at 4 ohms) - Genzler, Aguilar, Bergantino, Gallien-Krueger
- 1 Guitar Amp - Fender Deluxe Reverb
- 2 Congas (1 conga, 1 tumba) - LP Patato, Giovanni, or Galaxy
- 1 Extra Drum Throne (for percussionist)
- 1 Extra Hi-Hat Stand, no cymbals (for percussionist)
- 1 Grand Piano (tuned)
- 1 B3 with Leslie
- 1 Nord Electro 3-5 series reset to factory default
- 1 Adjustable Keyboard Stand
- 1 Adjustable Keyboard Bench

Sound / Lighting

- 1 wireless mic and boom stand(for main vocal)
- 5 vocal mics with boom stands
- 5 instrument mics (guitar amp, percussion, trumpet, accordion)
- 5 DIs (Bass, Synth, Acoustic Guitar, Charango)
- 6 Monitors with separate mixes (minimum of 4 monitors)
- Use warm color wash, no rapid, moving lights

Note: sound should highlight Gina's vocals. Please cut frequencies 250 and 500 for the charango.

Green Room / Dressing Room

Access to two private rooms, with at least one well-lit area with heating and A/C for getting dressed and putting on makeup before the performance. Other preferences include:

- Private bathroom with a power outlet
- Plenty of bottles of water (on stage and in dressing room), at room temperature
- Coffee
- Gluten- and dairy-free snacks (food bars, vegetables, hummus, fruit)

PRESENTER INITIALS: _____

Gina Chavez (full band)

2018-19 Hospitality Rider

Meals

1 hot meal per band member or buyout of \$30 per head

In providing dinner, at least one meal should be gluten-free, dairy-free and free of pork and red meat.

Proteins may include:

- Grilled Chicken
- Turkey
- Grilled fish or shrimp
- Quinoa
- Black beans
- Portobello mushrooms
- Lentils, OR
- Hummus

Accommodations

1 single King room for each band member, unless otherwise agreed upon with an artist representative.

Hotel should have a rating of AAA or higher and be within 3 miles of the venues, must have wireless internet (if this is not the case the hotels must be pre-approved by an artist representative).

Venue Parking

Please provide one parking space upon scheduled arrival time, preferably close to the venue for easy load-in and load-out. If the car cannot remain in that space for the duration of her stay, please have another space available where she may park during the performance. Any parking fees that may apply for entire stay shall be paid by Venue/Promoter.

Merchandise

Please provide a small table for Gina to display and sell merchandise, preferably located near the public entrance to the performance space. Please inform Gina if there are limitations for selling her merchandise on site.

Gina Chavez looks forward to providing you with the most thoughtful, engaging and smoothly run performance. These requests are made to help make that possible. Thank you for your time and we look forward to the show!

PRESENTER SIGNATURE: _____

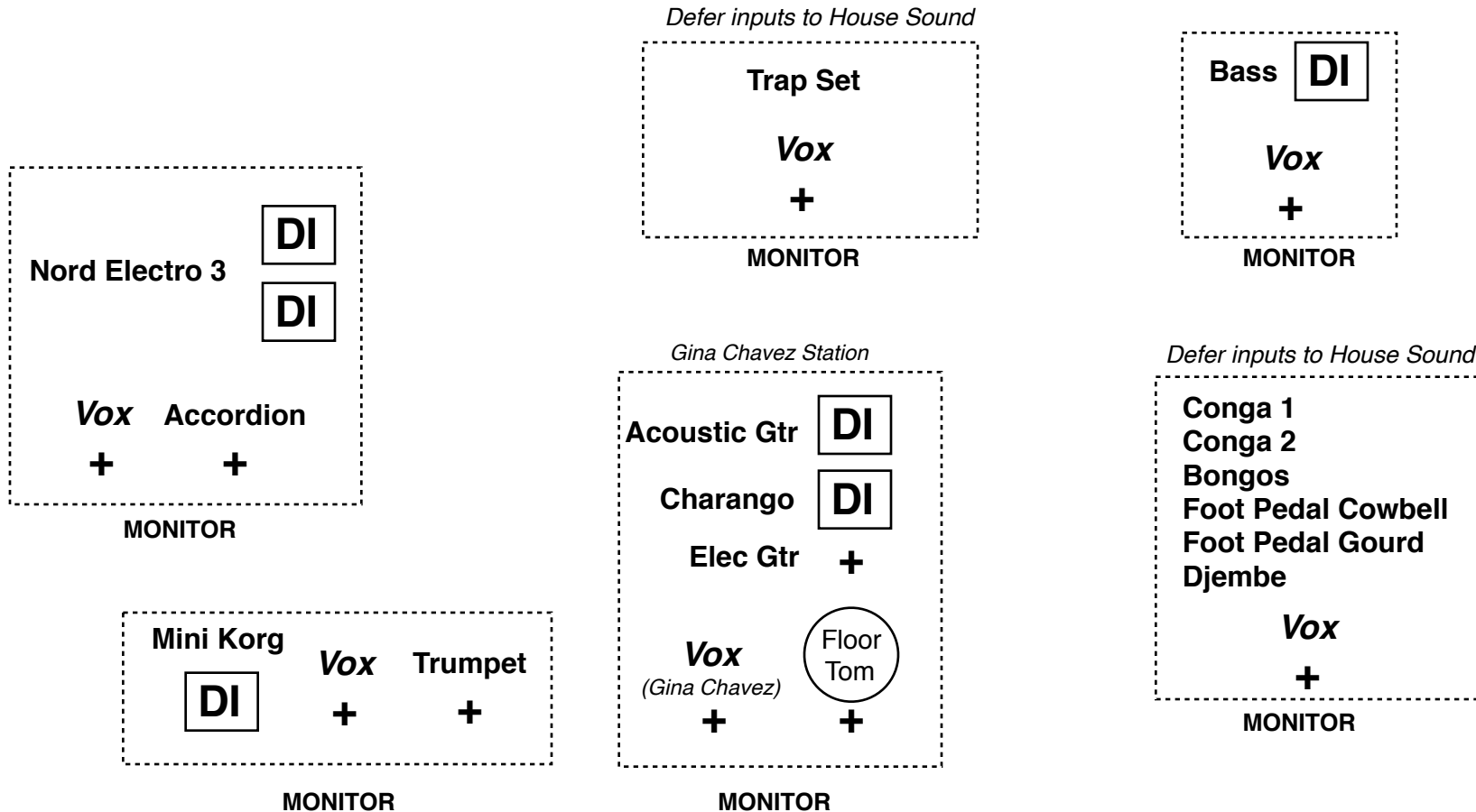
PRESENTER NAME: _____

DATE: _____

Gina Chavez Stage Plot

Sound Contact: BradJohnston @ 512-826-4961, macmaven@gmail.com
Band Manager: Jodi Beth Granado @ 512-750-5155, booking@ginachavez.com

+ = Symbol for Mic



Downstage